

Privacy push/pull hardware

PL7/PL8

Tubular push/pull hardware

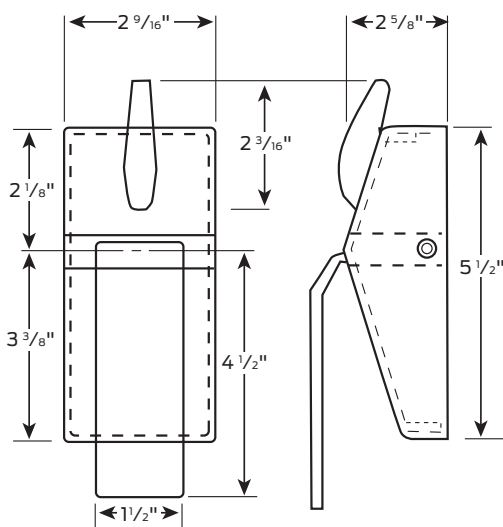
This patented design is ideal for restrooms or patient bathrooms. It combines all the features and functions of the HL6 push/pull hardware with the added feature of a privacy mode actuated by a thumbturn. An opposite side release provides access in case of emergency.



Features and benefits

- Quiet functionality
- Privacy function – pull or push side thumbturn
- Three mounting positions
- 10 finishes, including antimicrobial options
- Four available options, including engraving on handles
- Four backset sizes
- Two strike options
- Non-handed
- UL listed for all single labeled metal or wood doors

Dimensions



Functions

Schlage ANSI

PL7 —

Privacy, push-side thumbturn

- Latchbolt retracted by paddle from either side unless outside locked by push side thumbturn
- Actuating inside paddle, rotating inside thumbturn or outside coin turn unlocks door
- Inside paddle always free for immediate egress



PL8 —

Privacy, pull-side thumbturn

- Latchbolt retracted by paddle from either side unless outside locked by pull side thumbturn
- Actuating inside paddle, rotating inside thumbturn or outside coin turn unlocks door
- Inside paddle always free for immediate egress

