

Privacy function push/pull latch

Glynn-Johnson PL7 / PL8

Glynn Johnson offers a wide range of door hardware to provide solutions for the most complex door control problems. The PL7 and PL8 privacy function push/pull latches provide the versatility and durability needed for commercial and institutional doors up to 1 ³/₄", including single fire doors.

Two models:

- PL7 for push-side thumbturn
- PL8 for pull-side thumbturn

Three mounting positions:

- Increased versatility
- Mount in any of three positions
 - Handles down
 - Handles up
 - Handles point towards latch

Four sizes of backsets:

- 2 ³/₄"
- 3 ³/₄"
- 5"
- 7"

Two strike sizes:

- Standard—2 ³/₄"
- ASA—4 ⁷/₈"

Five options:

- B—Brass base material for US26D finish
- E—Engraved handles – “push” and “pull”
- L—Lead lined
- RL—Roller latch conversion kit
- SOC—Pin-in-socket security screws

Finishes:

- US3, US4, US10, US10B, US26, US26D, US32D
 - Optional: RAL powder coat finishes available. Consult factory

Unmatched convenience:

- Non-handed
- Variable mounting positions
- No fusible link to fail
- UL listed for all single labeled metal or wood doors

Application information

The patented design is ideal for restrooms or patient bathrooms. It combines all the features and functions of the popular HL6 push/pull latch, with the added convenience of privacy actuated by a thumbturn.

The sleek design has a short throw angle, allowing the door to be opened with an easy push or pull action, even when hands are not free. The release on opposite side provides for access in case of emergency.

For applications with the handles pointing towards the latch edge of the door, the 7" backset must be used. Both handles must point in the same direction. When both handles point up or down, any backset may be used.

Options

Suffix B (brass base-material)

The option of using brass handles and covers instead of the standard zinc for the US26D finish.

Suffix E (engraved handles)

Adds engraving to the handles “push” and “pull”. See page 11 for engraving guide. Engraved handles are not recommended for humid applications.

Suffix L (lead lining)

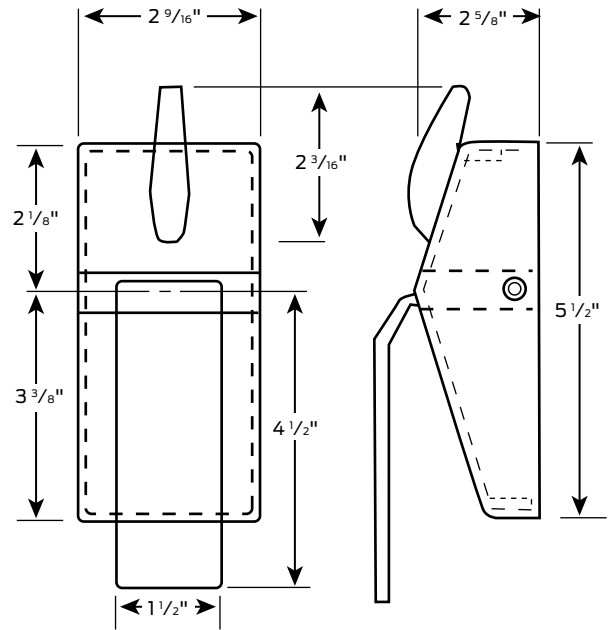
The lead lining kit provides lead components to cover cut-outs made in lead lined doors.

Suffix RL (roller latch conversion)

The Push/pull roller latch conversion kit is used to convert existing Glynn-Johnson 30 roller latches to meet current federal standard requirements. Minimal alterations are required, to the door edge. Kit includes the faceplate adapter making the latchbolt faceplate 1 ¹/₈" x 3 ³/₈". The kit also includes a full lip strike which is 2 ¹/₄" tall.

Suffix SOC (pin-in-socket security screws)

The option of having pin-in-socket security screws instead of standard screws. Pin-in-socket screws are provided for the strike, latch bolt and covers.



How to order

PL

Model:

- 7** Push-side thumbturn
- 8** Pull-side thumbturn

Options:

- B** Brass base material on US26D
- E** (2, 3, 4, or 6) - engraved handles
- L** Lead lined
- RL** Roller latch conversion kit
- SOC** Pin-in-socket security screws

Finishes:

- US3** Polished brass
- US4** Satin brass
- US10** Satin bronze
- US10B** Oil rubbed bronze
- US26** Polished chrome
- US26D** Satin chrome
- US26D-AM** Satin chrome - antimicrobial
- US32D** Satin stainless steel
- US32D-AM** Satin stainless steel - antimicrobial

Backset:

- 2** 2 3/4"
- 3** 3 3/4"
- 5** 5"
- 7** 7"

Strike:

- Blank** Standard strike
- A** ASA strike
- BT** Bent tab strike

Door thickness:

- Blank** 1 3/4" door, specify other thickness