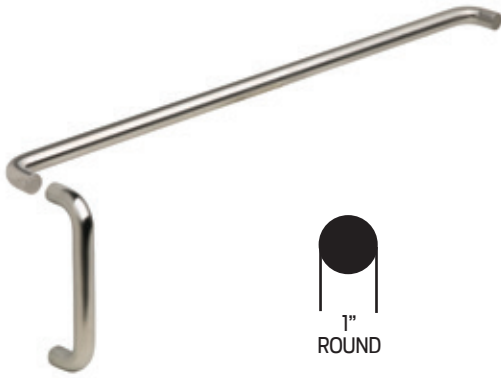


**9103EZHD Straight Pull/Pushbar Combo**  
 (8103EZHD Pull + 9100HD Push)

Available mounting – NO or NS see page B17  
 with heavy duty 3/8-16" mounting



Product No.	CTC Push	CTC Pull	Projection Push & Pull
9103EZ	28", 33"	8"	2-1/2" & 3-1/2"
9103EZ	28", 33"	10"	2-1/2" & 3-1/2"
9103EZ	28", 33"	12"	2-1/2" & 3-1/2"

Special lengths available, consult factory

**Finishes brass**

US Number	US3	US4	US10	US10B	US15	US26	US26D*
BHMA	605	606	612	613	619	625	626

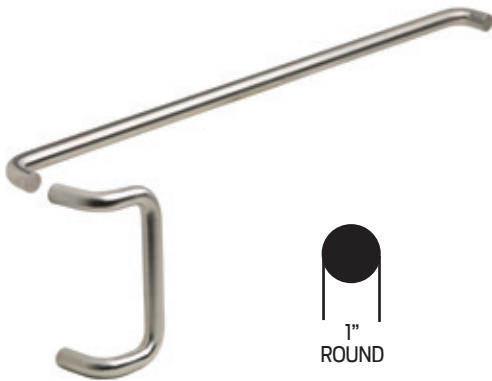
**Finishes stainless steel**

US Number	US32	US32D*
BHMA	629	630

\* Available with Antimicrobial Coating, use suffix AM

**9190HD Offset Pull/Pushbar Combo**  
 (8190HD pull + 9100HD push)

Available mounting – NO or NS see page B17  
 with heavy duty 3/8-16" mounting



Product No.	CTC Push	CTC Pull	Projection Push & Pull
9190	28", 33"	8"	2-1/2" & 3-1/4"
9190	28", 33"	10"	2-1/2" & 3-1/4"
9190	28", 33"	12"	2-1/2" & 3-1/4"
9190	28", 33"	18"	2-1/2" & 3-1/4"

Special lengths available, consult factory

**Finishes brass**

US Number	US3	US4	US10	US10B	US15	US26	US26D*
BHMA	605	606	612	613	619	625	626

**Finishes stainless steel**

US Number	US32	US32D*
BHMA	629	630

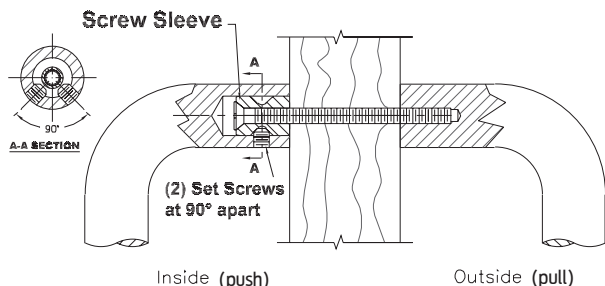
\* Available with Antimicrobial Coating, use suffix AM

## Mounting for 8103EZ, 8190, 9100, 9103EZ, 9190 and 9264, 9265, 9266 and 9267 long door pulls.

• All mounting hardware is for standard 1-3/4" door.

• Consult Customer Service if other than standard.

### Type J/N Mount



#### Back to Back "Two-Anchor"

Wood or Metal Door

Available only for 8103EZHD, 8190HD, 9100HD push/pull combinations and 9264, 9265, 9266 and 9267 long door pulls.

- (2) 3/8-16 x 2-3/4" steel countersunk trim head machine screws with (4) set screws for maximum anchoring force.
- (2) Steel screw sleeves; zinc plated.

### Type NS-Standard Push/Pull Mounting

Type N & Standard

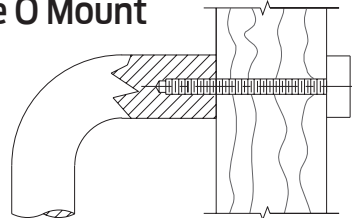
Pushbar to Pull

- (1) 3/8 - 16 X 3" steel countersunk trim head machine screws with (2) set screws.
- (1) steel screw sleeve, zinc plated.

Free End Pushbar & Pull

- (2) 3/8 - 16 X 2-1/4" brass, oval head mach screws; plated to match.
- (2) No. 14 countersunk washers; plated to match.

### Type O Mount



#### Decorative Blind Thru - Bolt

Wood or Metal Door

Available only for 8103EZHD, 8190HD and 9100HD Series Push/Pull Combinations.

- (2) 3/8-16 x 2-1/4" blind thru - bolts; plated to match.

### Type NO Push/Pull Mounting

Type N & Type O

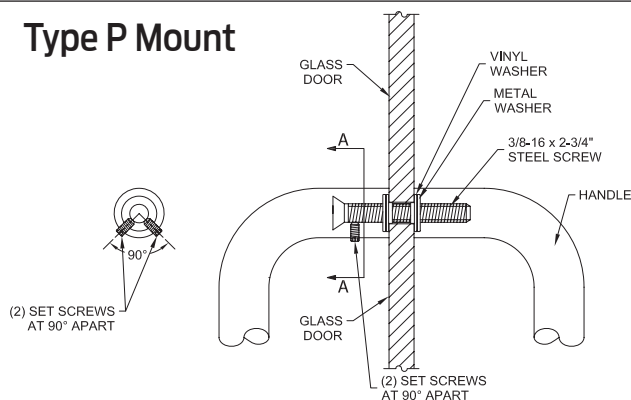
Pushbar to Pull

- (1) 3/8 -16 X 3" steel countersunk trim head machine screws with (2) set screws.
- (1) steel screw sleeve, zinc plated.

Free End Pushbar & Pull

- (2) 3/8 - 16 X 2-1/4" blind thru-bolts; plated to match.

### Type P Mount



#### 1/2" Glass Door

Available only for 8103EZHD, 8190HD, 9100HD, 9265 and 9266 long door pulls.

- (2) 3/8-16 x 2-1/4" steel countersunk trim head machine screws with (4) set screws for maximum anchoring force.
- (2) Steel screw sleeves; zinc plated
- (2) Metal and Vinyl washers

A  
Hinges & Pivots

B17  
Pulls & Plates

C  
Flush Bolts & Coordinators

D  
Latches, Catches & Bolts

E  
Stops

F  
Exterior Hardware

G  
Miscellaneous Hardware