

**A**  
Hinges & Pivots

**B4**  
Pulls & Plates

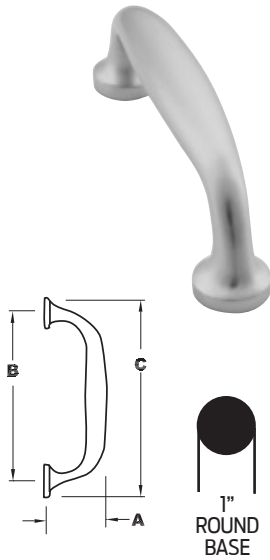
**C**  
Flush Bolts & Coordinators

**D**  
Latches, Catches & Bolts

**E**  
Stops

**F**  
Exterior Hardware

**G**  
Miscellaneous Hardware



### 8111-5 Door Pull

Available mounting – 1/4-20" mounting screws, standard see page B15

#### Size

5-1/4"

Product No.	Projection "A"	Center to Center "B"	Overall Length "C"
8111-5	1-13/16"	5-1/4"	6-1/4"

#### Finishes *brass*

US Number	US3	US4	US10	US10B	US15	US26	US26D*
BHMA	605	606	612	613	619	625	626

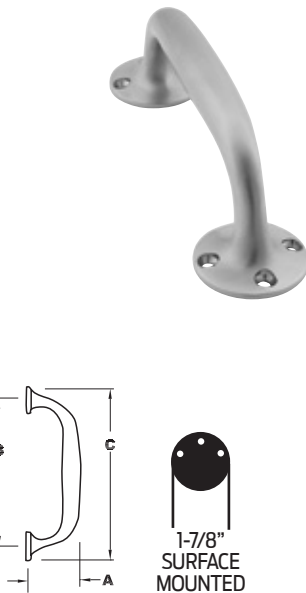
#### Finishes *stainless steel*

US Number	US32D*
BHMA	630

#### Finishes *aluminum*

US Number	US28
BHMA	628

\* Available with Antimicrobial Coating, use suffix AM



### 8112-5 Door Pull

Standard sheet metal screws for surface mounting

#### Size

5-1/4"

Product No.	Projection "A"	Center to Center "B"	Overall Length "C"
8112-5	2-13/16"	5-5/8"	7-1/2"

#### Finishes *brass*

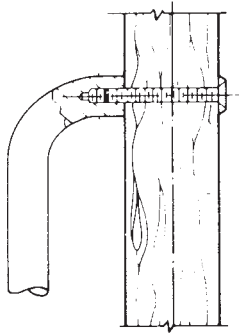
US Number	US26D*
BHMA	626

\* Available with Antimicrobial Coating, use suffix AM

## Mounting

- All mounting hardware is for standard 1-3/4" door.
- Consult Customer Service if other than standard.

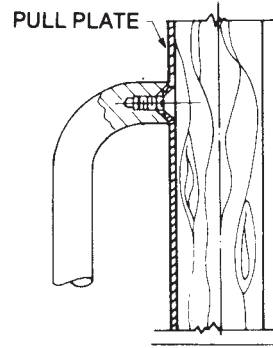
### Type Standard Mount



#### Standard Mounting

- (2) 3/8-16 x 2-1/4" brass, flat head machine screws; plate to match.
  - (2) 3/8-16 countersunk washers; plated to match
- Note: 8102HD and 8105 have (2) 5/16-18 x 2-1/2" machine screws  
 -Options: (2) 5/16 countersunk washers

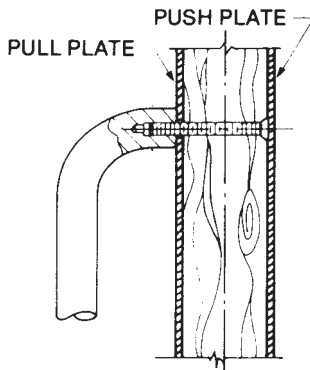
### Type G Mount



#### Concealed Pull Plate Mounting

- Available only for 8302, 8303, 8311 Pull Plates.
- (2) 3/8-16 x 5/8" steel flat head machine screws; zinc plated.
- Pull mounts directly onto plate.  
 Plate is attached to door by 6 screws.  
 Note: 8302 has (2) 5/16-19 x 5/8" steel flathead zinc plated screws

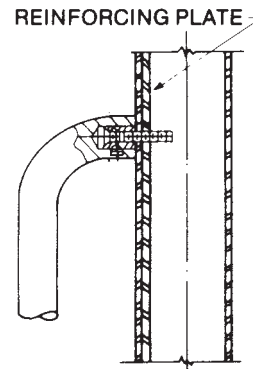
### Type F Mount



#### Wood Doors Concealed Pull Mounting With Push Plate

- (2) 2-1/4" steel flat head machine screws; zinc plated.
- Available only for 8102HD, 8103HD, 8105, 8111, 8302, 8303, 8305 and 8311. Plate on opposite side of door must be ordered separately.
- Note: 8102HD, 8302 will have 5/16-18  
 8105, 8111, 8305, 8311 will have 1/4-20  
 8103HD, 8303 will have 3/8-16"

### Type H-I-L Mount



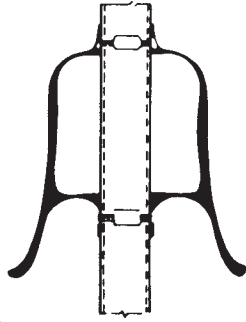
#### Reinforced Hollow Metal Door Concealed Pull Mounting

- Available only for 8102, 8103, 810EZ or wood door pulls, 8302, 8303 pull plates and 9264, 9265, 9266 and 9267 long door pulls.
- (2) Steel screw sleeves; zinc plated.
  - (2) Steel countersunk trim head machine screw; zinc plated for reinforced metal door.
  - (2) Steel countersunk trim head steel metal screw; zinc plated for wood doors.
- Note: 8102HD and 8302 will have 5/16-18"  
 8103HD, 8103EZHD, 8303 will have 3/8-16

### Mounting

- All mounting hardware is for standard 1-3/4" door.
- Consult Customer Service if other than standard.

#### Type K Mount



#### Back to Back Pull Mounting

Available only for 8121-5 Pulls.

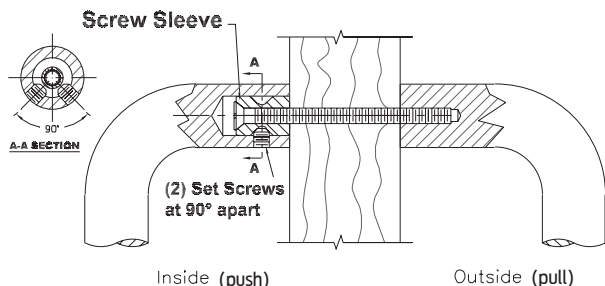
- (4) Steel screw sleeve nuts; steel zinc plated.
  - (8) No. 8-32 x 1" brass oval head machine screws; plated to match.
- Pulls furnished in pairs (PR).

## Mounting for 8103EZ, 8190, 9100, 9103EZ, 9190 and 9264, 9265, 9266 and 9267 long door pulls.

• All mounting hardware is for standard 1-3/4" door.

• Consult Customer Service if other than standard.

### Type J/N Mount



#### Back to Back "Two-Anchor"

Wood or Metal Door

Available only for 8103EZHD, 8190HD, 9100HD push/pull combinations and 9264, 9265, 9266 and 9267 long door pulls.

- (2) 3/8-16 x 2-3/4" steel countersunk trim head machine screws with (4) set screws for maximum anchoring force.
- (2) Steel screw sleeves; zinc plated.

### Type NS-Standard Push/Pull Mounting

Type N & Standard

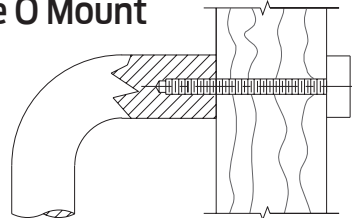
Pushbar to Pull

- (1) 3/8 - 16 X 3" steel countersunk trim head machine screws with (2) set screws.
- (1) steel screw sleeve, zinc plated.

Free End Pushbar & Pull

- (2) 3/8 - 16 X 2-1/4" brass, oval head mach screws; plated to match.
- (2) No. 14 countersunk washers; plated to match.

### Type O Mount



#### Decorative Blind Thru - Bolt

Wood or Metal Door

Available only for 8103EZHD, 8190HD and 9100HD Series Push/Pull Combinations.

- (2) 3/8-16 x 2-1/4" blind thru - bolts; plated to match.

### Type NO Push/Pull Mounting

Type N & Type O

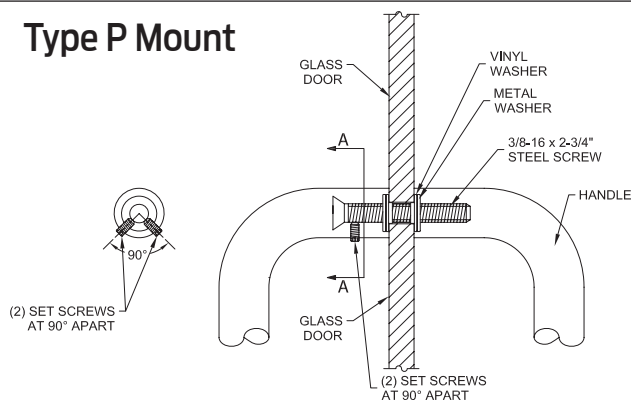
Pushbar to Pull

- (1) 3/8 -16 X 3" steel countersunk trim head machine screws with (2) set screws.
- (1) steel screw sleeve, zinc plated.

Free End Pushbar & Pull

- (2) 3/8 - 16 X 2-1/4" blind thru-bolts; plated to match.

### Type P Mount



#### 1/2" Glass Door

Available only for 8103EZHD, 8190HD, 9100HD, 9265 and 9266 long door pulls.

- (2) 3/8-16 x 2-1/4" steel countersunk trim head machine screws with (4) set screws for maximum anchoring force.
- (2) Steel screw sleeves; zinc plated
- (2) Metal and Vinyl washers

Hinges & Pivots  
**A**

Pulls & Plates  
**B17**

Flush Bolts & Coordinators  
**C**

Latches, Catches & Bolts  
**D**

Stops  
**E**

Exterior Hardware  
**F**

Miscellaneous Hardware  
**G**