

Meets ANSI/BHMA A156.4 C07121

7227 - UL Listed 20 minute fire doors

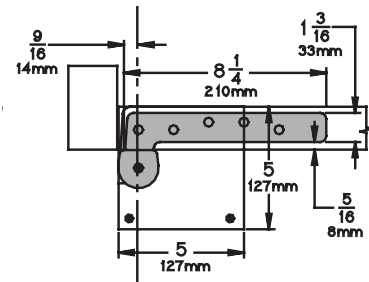
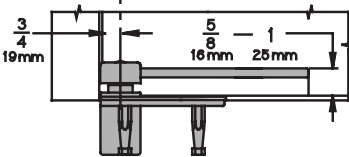
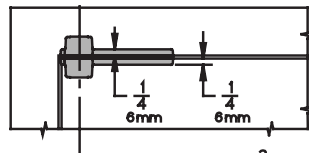
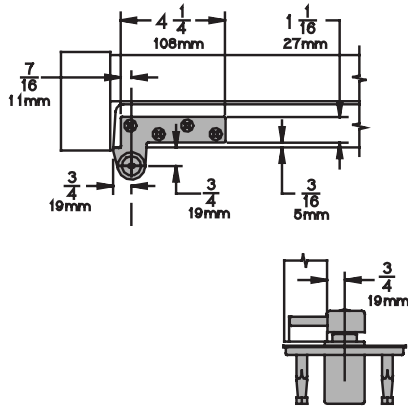
7227F - UL Listed 3 hour fire doors

## 7227 7227F 3/4" Offset Pivot

- Non-handed
- Top, header mount
- Bottom, base plate mount
- Use with 1-3/4" minimum door thickness, with 1/8" bevel in 2"
- Maximum door load 700 pounds
- Vertical adjustment range 3/16", with positive locking

Optional 7215-7226-7227 or 7215F-7226F-7227F Intermediate Pivot (handed) for each additional 100 pounds or doors over 7'. See page A47.

Optional 7227PT Power Transfer (four wires), non-load bearing. See page A49.



### 7227

#### Plated Finishes *brass*

US Number	US3	US4	US10	US10B	US26	US26D
BHMA Number	605	606	612	613	625	626

#### Painted Finishes *brass*

US Number	SP4	SPT0	SP28	SP313	SPBLK
BHMA Number	706	691	689	695	622

### 7227F

#### Plated Finishes *steel*

US Number	US3	US10	US32	US32D
BHMA Number	632	639	629	630

#### Painted Finishes *steel*

US Number	SP4	SPT0	SP28	SP313	SPBLK
BHMA Number	706	691	689	695	622