

A20	Hinges & Pilots
B	Pulls & Plates
C	Flush Bolts & Coordinators
D	Latches, Catches & Bolts
E	Stops
F	Exterior Hardware
G	Miscellaneous Hardware



053HD Half Surface Continuous Hinge

- Half surface for retrofit or new construction
- Handing required when modified
- Frame leaf depth 1-9/16"
- 1/8" door inset

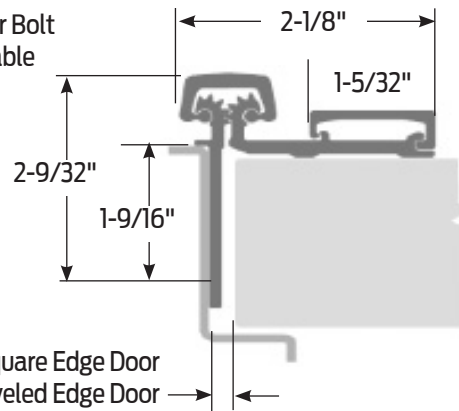
Standard lengths 83", 85", 95", 120"

Standard Mounting Hardware

- 12-24 x 1/2" steel self tapping screw
- 1/4-20 x 1-1/2" AL Sex Bolt
- 1/4-20 x 1" Steel Shoulder Bolt
- 12-24 x 3/4" Steel Self Drilling Shoulder Bolt
- Optional SEC-Security Fasteners available

Finishes

Clear (CL), Dark Bronze (DB)
Custom Anodizing and Painting are available, consult factory.



5/32" Clearance for Square Edge Door
 3/16" Clearance For Beveled Edge Door



054HD Half Surface Continuous Hinge

- Half surface for retrofit or new construction
- Handing required when modified
- Frame leaf depth 1-15/16"
- 1/8" door inset

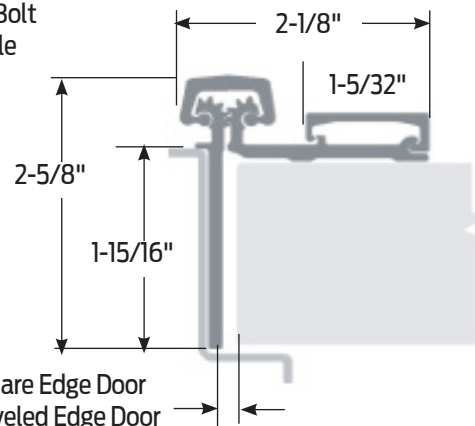
Standard lengths 83", 85", 95", 120"

Standard Mounting Hardware

- 12-24 x 1/2" steel self tapping screw
- 1/4-20 x 1-1/2" AL Sex Bolt
- 1/4-20 x 1" Steel Shoulder Bolt
- 12-24 x 3/4" Steel Self Drilling Shoulder Bolt
- Optional SEC-Security Fasteners available

Finishes

Clear (CL), Dark Bronze (DB)
Custom Anodizing and Painting are available, consult factory.



5/32" Clearance for Square Edge Door
 3/16" Clearance For Beveled Edge Door