



**045HD Half Surface Continuous Hinge**

- Half surface for retrofit or new construction
- Handing required when modified
- Frame leaf depth 1-9/16"
- 9/32" door inset

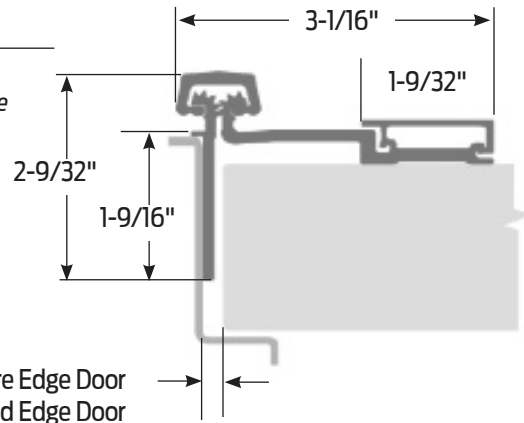
Standard lengths 83", 85", 95", 120"

**Standard Mounting Hardware**

- 12-24 x 1/2" steel self tapping screw
- 1/4-20 x 1-1/2" AL Sex Bolt
- 1/4-20 x 1" Steel Shoulder Bolt
- 12-24 x 3/4" Steel Self Drilling Shoulder Bolt
- Optional SEC-Security Fasteners available

**Finishes**

Clear (CL), Dark Bronze (DB)  
*Custom Anodizing and Painting are available, consult factory.*



5/32" Clearance for Square Edge Door  
3/16" Clearance For Beveled Edge Door

**046HD Half Surface Continuous Hinge**

- Half surface for retrofit or new construction
- Handing required when modified
- Frame leaf depth 1-15/16"
- 9/32" door inset

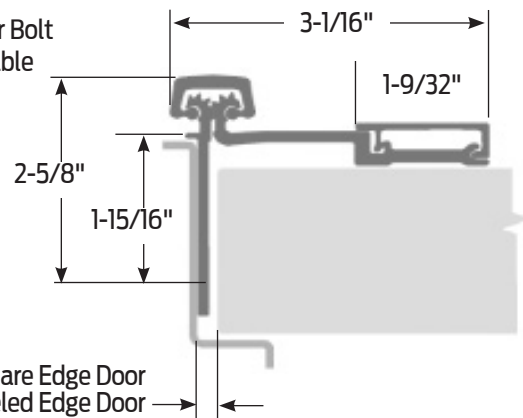
Standard lengths 83", 85", 95", 120"

**Standard Mounting Hardware**

- 12-24 x 1/2" steel self tapping screw
- 1/4-20 x 1-1/2" AL Sex Bolt
- 1/4-20 x 1" Steel Shoulder Bolt
- 12-24 x 3/4" Steel Self Drilling Shoulder Bolt
- Optional SEC-Security Fasteners available

**Finishes**

Clear (CL), Dark Bronze (DB)  
*Custom Anodizing and Painting are available, consult factory.*



5/32" Clearance for Square Edge Door  
3/16" Clearance For Beveled Edge Door

