



E91105F Pocket pivot/hinge, power transfer, fire rated

- Non-load bearing
- Comes standard with 28 gauge TW4. For additional electrical wiring applications, consult product support.
- Rated 50 VDC or VAC @ 3.5 amps continuous or 16 amp pulse, maximum pulse 400 milliseconds
- Full mortise
- Recommended for use with 1-3/4" door thickness only
- Not recommended for doors larger than 4'0" X 8'0"
- Not recommended for wood frames
- Allows door to open a full 90°
- Non-handed

Certifications

- Meets ANSI/BHMA A156.4 C07611
- UL Listed, 3 hour fire doors

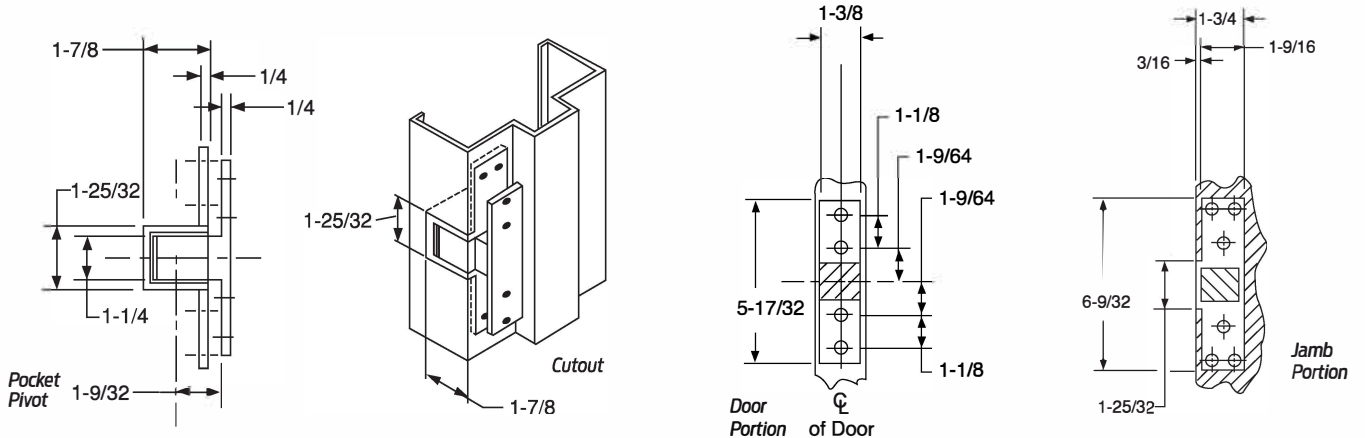
Material substrate

- Made from 304 series stainless steel

E91105F Finishes

BHMA	Description	Substrate	Finish
600	Primer painted	Stainless steel	USP
629	Bright stainless	Stainless steel	US32
630	Satin stainless	Stainless steel	US32D
632	Bright brass	Stainless steel	US3
646	Satin nickel	Stainless steel	US15
---	Aged bronze	Stainless steel	643e/716
695	Dark bronze painted	Stainless steel	SP313

For other colors, consult factory.



A73
Hinges & pivots

B
Pulls & plates

C
Flush bolts & coordinators

D
Latches, catches & bolts

E
Stops

F
Exterior hardware

G
Miscellaneous hardware