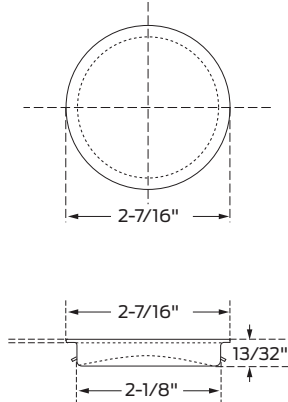


221

Flush pull - large circle

- Ideal for use on sliding doors
- Built-in prong design eliminates the need for screws or brads and facilitates installation
- Packed with two escutcheon pins for added holding power



Specifications

Material substrate	Made from wrought brass
Certifications	Meets ANSI/BHMA 156.9 B22201 and A156.14 D2781

Dimensions

- Inside cup diameter: 2 1/8"
- Overall diameter: 2 7/16"
- Depth: 7/16"

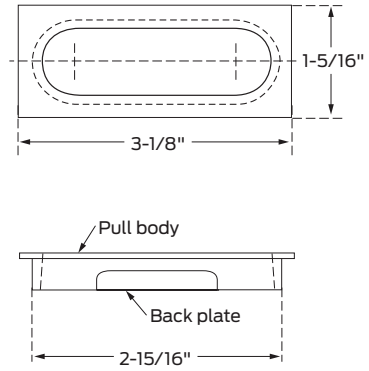
Finishes

BHMA	Description	Substrate	Finish
605	Bright Brass	Brass	B3
606	Satin Brass	Brass	B4
609	Blackened Brass	Brass	B5
612	Satin Bronze	Brass	B10
613	Oil Rubbed Bronze	Brass	B10B
619	Satin Nickel	Brass	B15
622	Matte Black	Brass	B-BLK
625	Bright Chrome	Brass	B26
626	Satin Chrome	Brass	B26D
—	Aged Bronze	Brass	B-643e/716

222

Flush pull - rectangle

- Low profile makes this pull ideal for louvered, bi-folding or wardrobe doors
- Reverse tapered grip provide for ease of pulling



Specifications

Material substrate	Made from cast brass
Certifications	Meets ANSI/BHMA 156.9 B12201 and A156.14 D1781

Dimensions

3 1/8" high x 1 5/16" wide x 15/32" deep

Finishes

BHMA	Description	Substrate	Finish
605	Bright Brass	Brass	B3
606	Satin Brass	Brass	B4
609	Blackened Brass	Brass	B5
612	Satin Bronze	Brass	B10
613	Oil Rubbed Bronze	Brass	B10B
619	Satin Nickel	Brass	B15
622	Matte Black	Brass	B-BLK
625	Bright Chrome	Brass	B26
626	Satin Chrome	Brass	B26D
—	Aged Bronze	Brass	B-643e/716